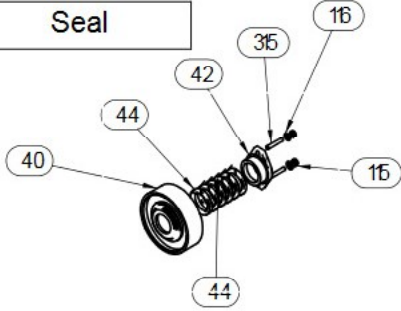


Výkres sestavy čerpadla PCM, typ I

Seal

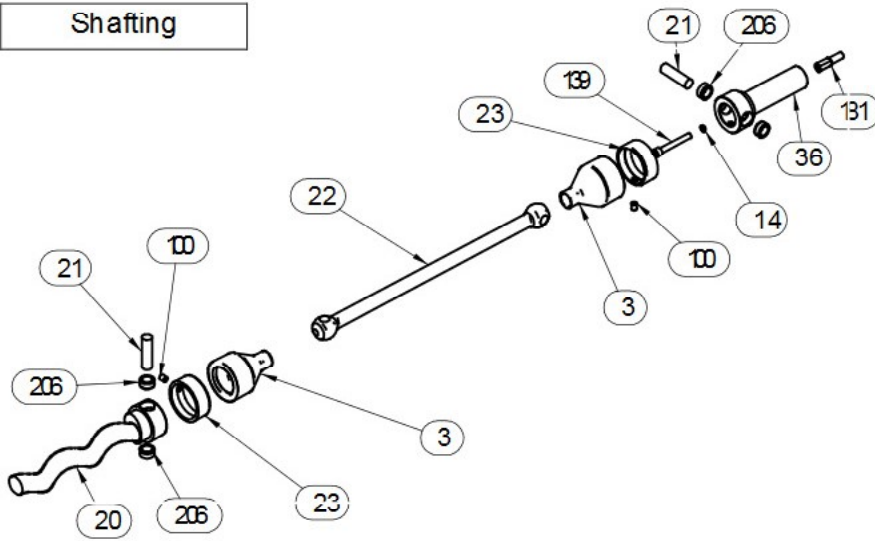


Drawing TPC0056

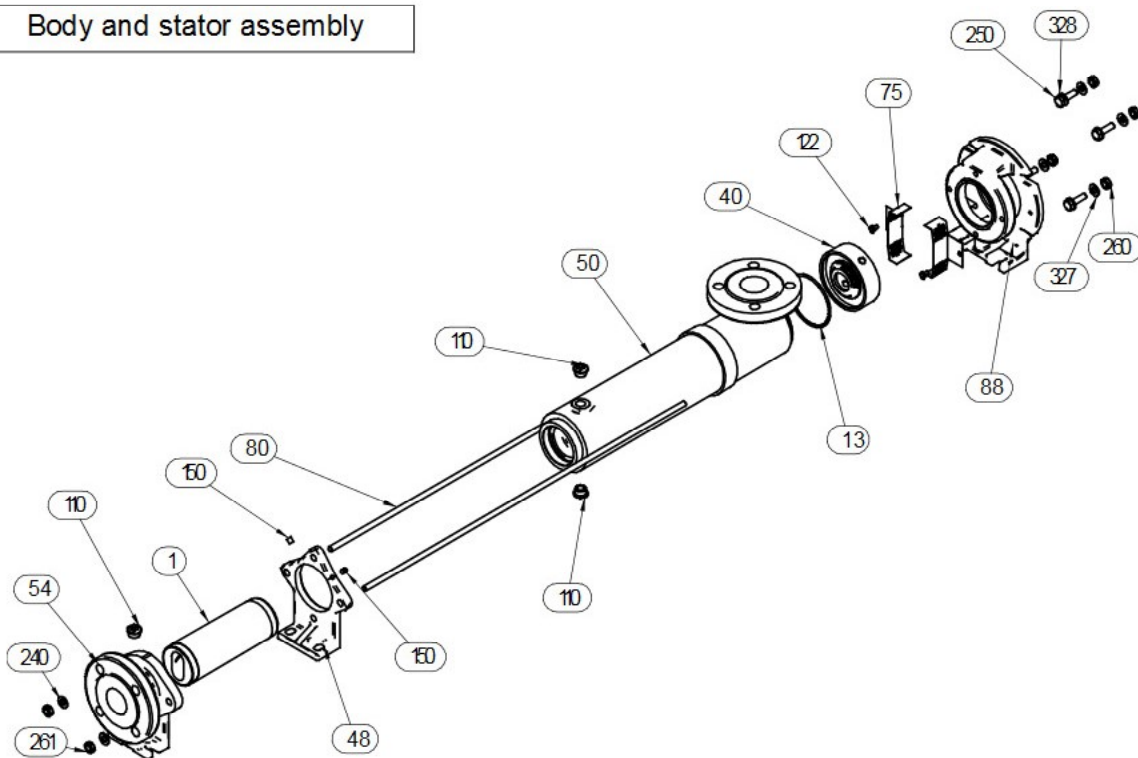
For pumps 0.03ID10-0.4I10-0.4ID10-
1I10-1ID10-2.6I10-2.6ID10-6I5-6ID5-
6I10-6I20-13I5-13I10-13ID10-20I4

Representation with seal by non-lubricated stuffing box assembly.

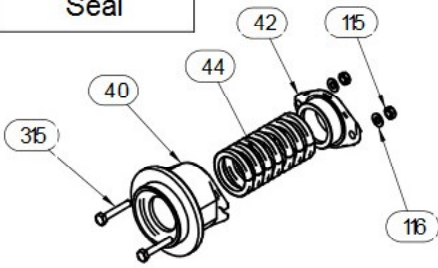
Shafting



Body and stator assembly



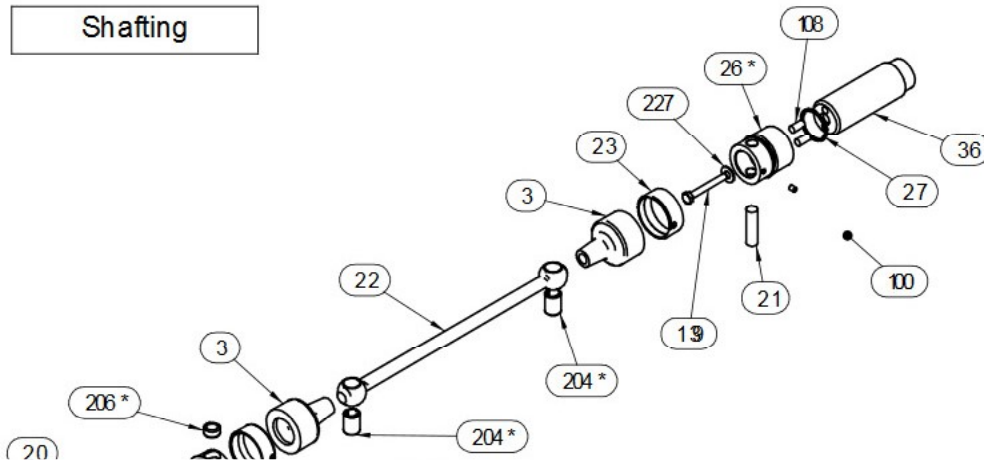
Seal



Drawing TPC0057

For pumps 1.6I45-13I20-20I16-25I5-
25I10-30I4-40ID5-40I10-40ID10-
45I5-62I5-62ID5-90I5
Representation with seal by non-
lubricated stuffing box assembly.

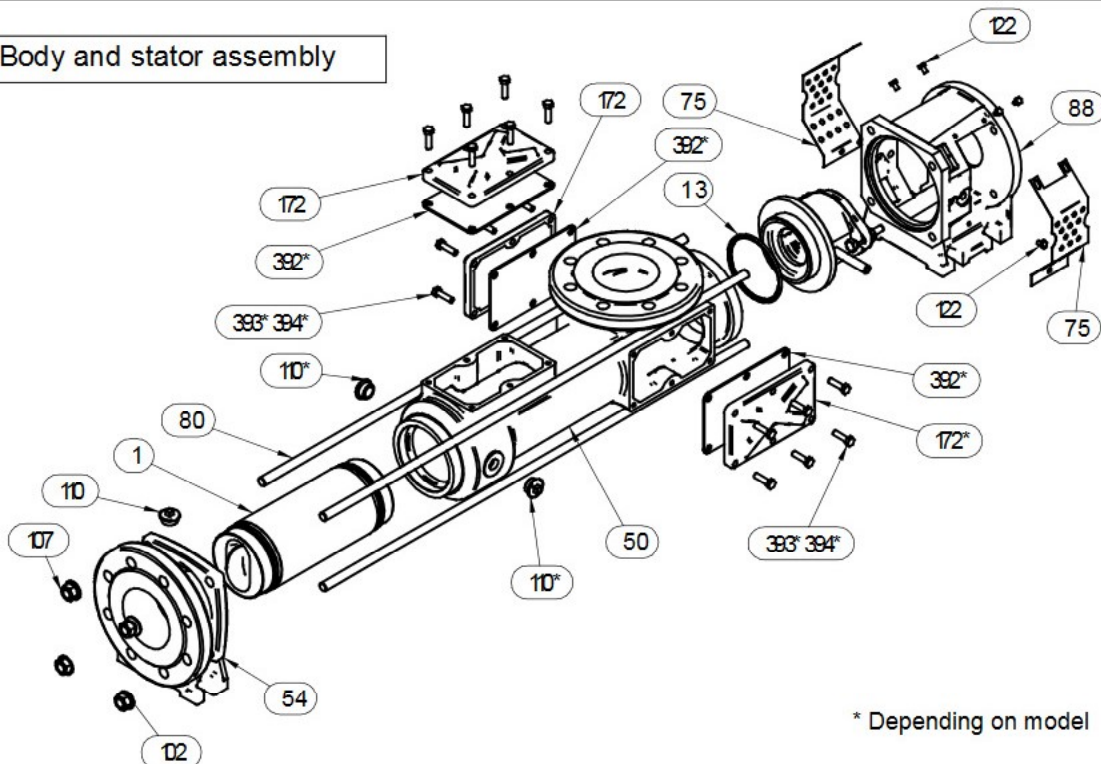
Shafting



21

* Depending on model

Body and stator assembly

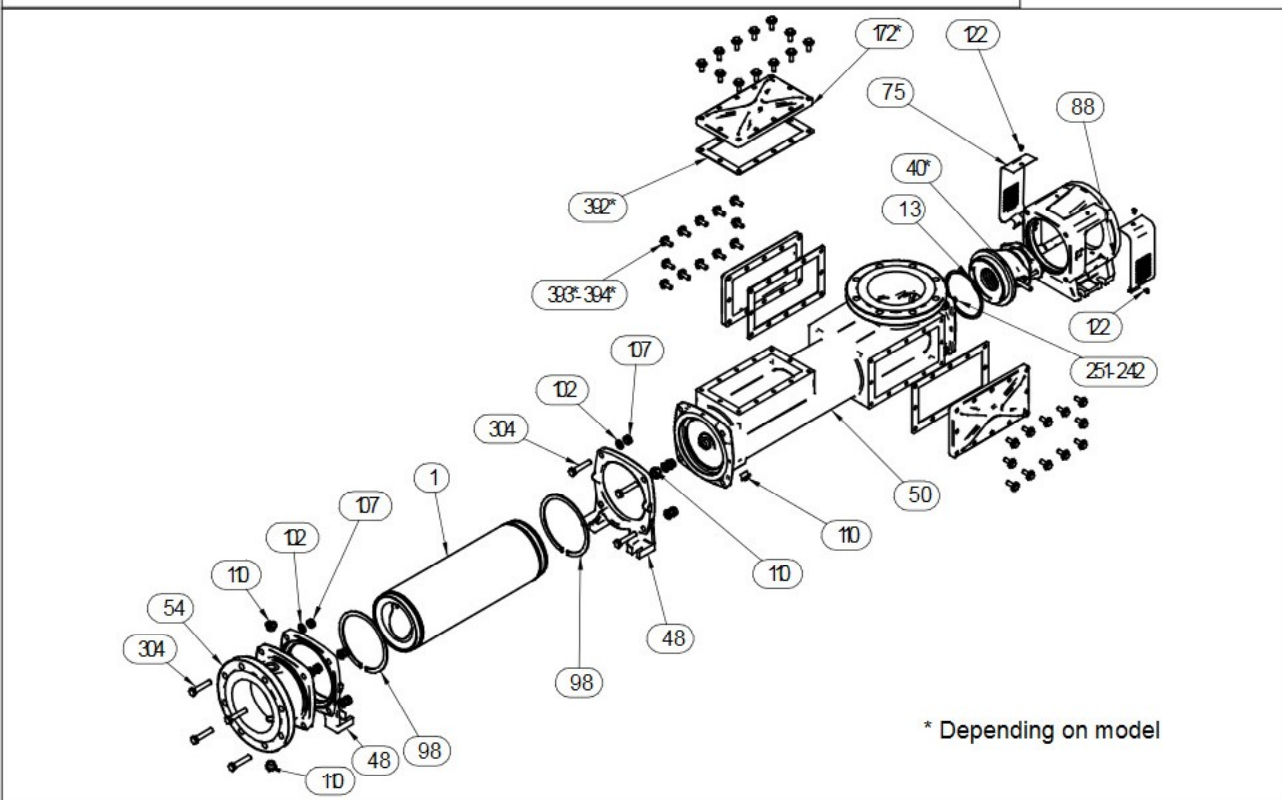
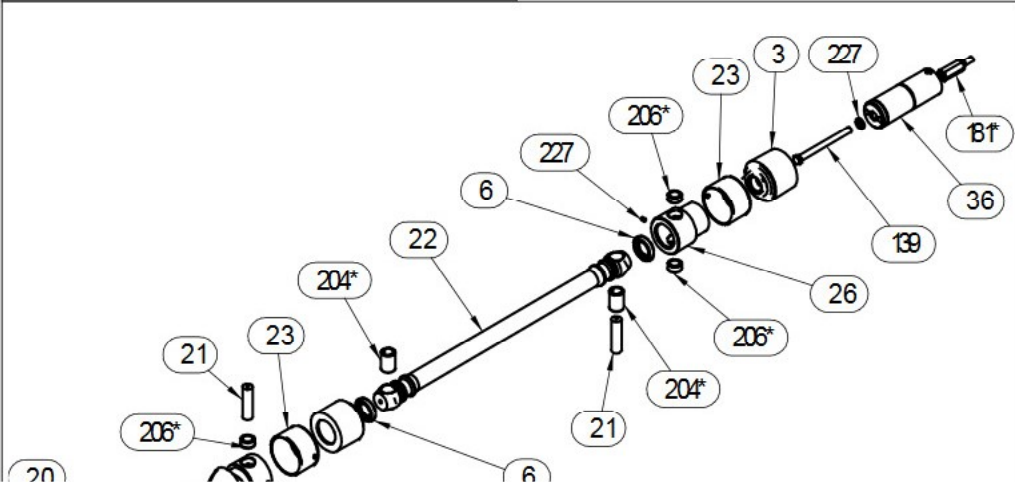
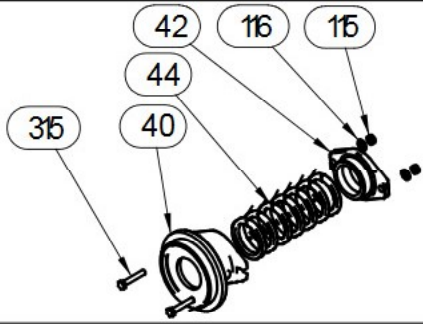


* Depending on model

Drawing TPC0058

For pumps 4152-20120-35120-351D20-
35140-50115-501D15-60110-100110-
1001D10-12015-150110-1501D10-18015-
24015-2401D5

Representation with seal by non-lubricated stuffing box assembly.



* Depending on model